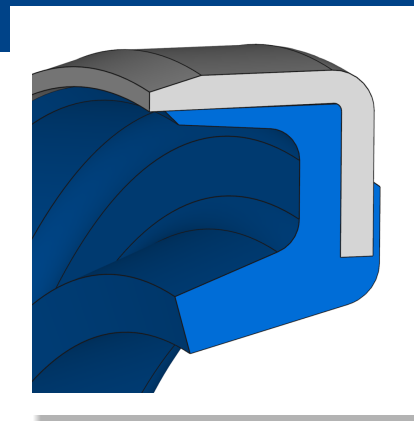




Radial shaft seal Simmerring® B1OF

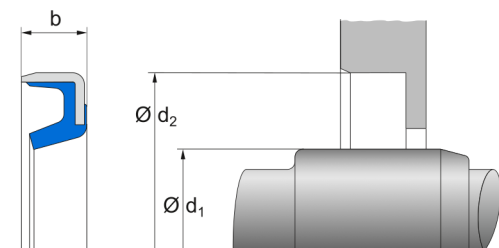


DESCRIPTION

- Without tension spring
- Open metallic outer jacket
- Without protective lip
- Sealing material: NBR
- Material reinforcement sheet: unalloyed steel DIN EN 10139 (DIN 1624)

FUNCTION

- Dynamic sealing of a rotating shaft, independent of the direction of rotation
- Simple sealing against grease or additional sealing against dust and dirt accumulation
- Self-retaining
- Metallic outer jacket ensures tight and precise fit
- Additional gluing of the seal into the housing is recommended
- Limited sealing of low-viscosity and gaseous media and in split housings
- Only limited static sealing between sealing lip and shaft at standstill
- Design without tension spring creates less friction, but also less sealing effect
- Not recommended for oil sealing



PRODUCT ADVANTAGES

- Low friction
- Highest quality
- Highest functional reliability
- Longest service life

APPLICATIONS

- Electric vehicles
- Sealing of swivel bearings and actuators

APPLICATION LIMITS

- Permissible maximum values depending on the other operating conditions, see technical manual.

MEDIA RESISTANCE

- Greases
- Please refer to additional information in the chemical resistance guide at www.fst.com.

CONFORMITY AND CERTIFICATES

- Please consult the material data sheet valid for the respective material for current information on approvals and certificates, as this information depends on the compound and cannot be listed exhaustively here.

DESIGN GUIDELINE

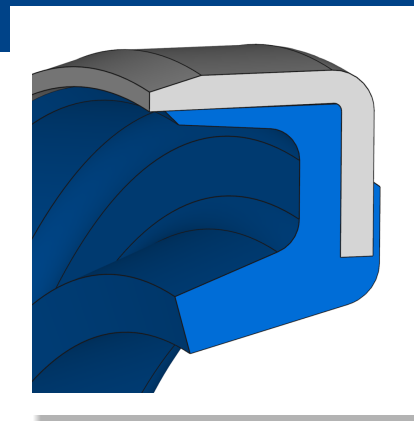
- Please refer to the technical manual for design guidelines.

INSTALLATION GUIDELINE

- The prerequisite for perfect function of the seal is careful installation in accordance with the technical manual.
- Recommendation: Design the installation space so that axial support in the housing



Radial shaft seal Simmerring® B1OF



- Please refer to the technical manual for further installation instructions.

STORAGE ADVISE

- Storage temperature <25°C
- No direct heat sources
- No direct sunlight
- No condensation in the storage room
- No exposure to ozone or ionizing radiation
- Recommendations based on the revision of ISO 2230 dated 16.09.1992

The designation of this seal for sealing rotating shafts is radial shaft seal according to DIN/ISO. The name Simmerring® is a registered trademark of the Freudenberg company. The information contained herein is believed to be reliable, but no representations, warranties or guarantees of any kind are made as to its accuracy or suitability for any purpose. The information reproduced herein is based on laboratory testing and is not necessarily indicative of end product performance. Complete testing and performance of the end product is the responsibility of the user.
 © Freudenberg FST GmbH | www.fst.com